

EC-201

Robotic Palletizer



Through many years of research and development the **EC-201** robot is one of the most technologically advanced robotic palletizers on the market today. This model can be configured for High Speed or Heavy Weight applications.

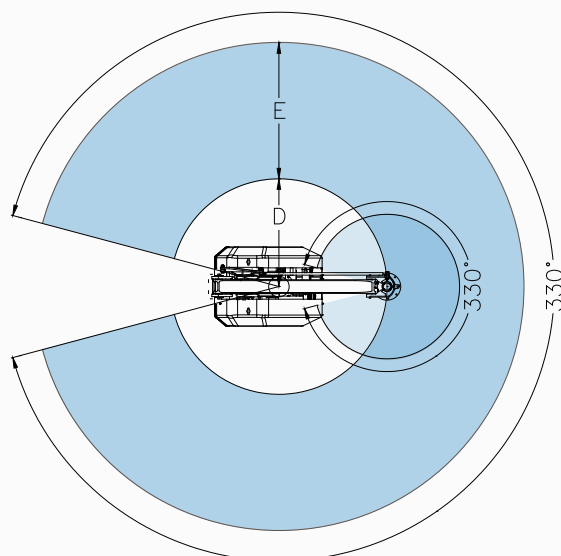
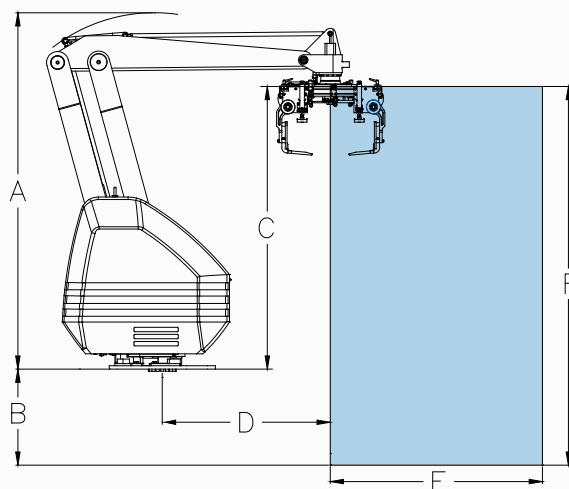


Operating Range

Dimensions (mm)

	A	B	C	D	E	F
EC-201	2290	577	1723	1150	1500	2300

Details provide are for reference purposes only. All dimensions are in metric (millimeters)



EC-201 Series Technical Specifications

Fuji ACE Model		EC-201
Type of Motion		Multi-Articulated
Action Mode		Cylindrical
Load Capacity (Including End Effector)		160kg (353 lbs)
Palletizing Capacity (cycles / hour)		1600
Degree of freedom		4 axis
Operating Area	Z axis (vertical)	2300mm (90.5")
	R axis (longitudinal)	1500mm (59")
	Theta axis (rotation)	330°
	Alpha axis (wrist)	330°
Repeatability		± 0.5mm
Memory		400 programming locations available
Teaching method		Teaching playback / Teaching Support
Power Requirements		(208 / 220V, 3 phase, 50 / 60 Hz)
Power Consumption (Without Peripheral Equipment Load)		6.5 kVA / 17 amps or 7.0 kVA / 18.4 amps
Robot Weight (Without End Effector)		1150 Kg (2536 lbs)
Maximum Air Pressure		120 psi (0.827 MPa)
Pneumatic Consumption (*Using Standard Fuji Case or Bag End Effector)		*5.7 SCFM @ 70 psi (.48 MPa)

Note: Capacity rates can be significantly affected by layouts, product types and total payload weight. Accurate capacity can be confirmed after a detailed analysis of an application.

